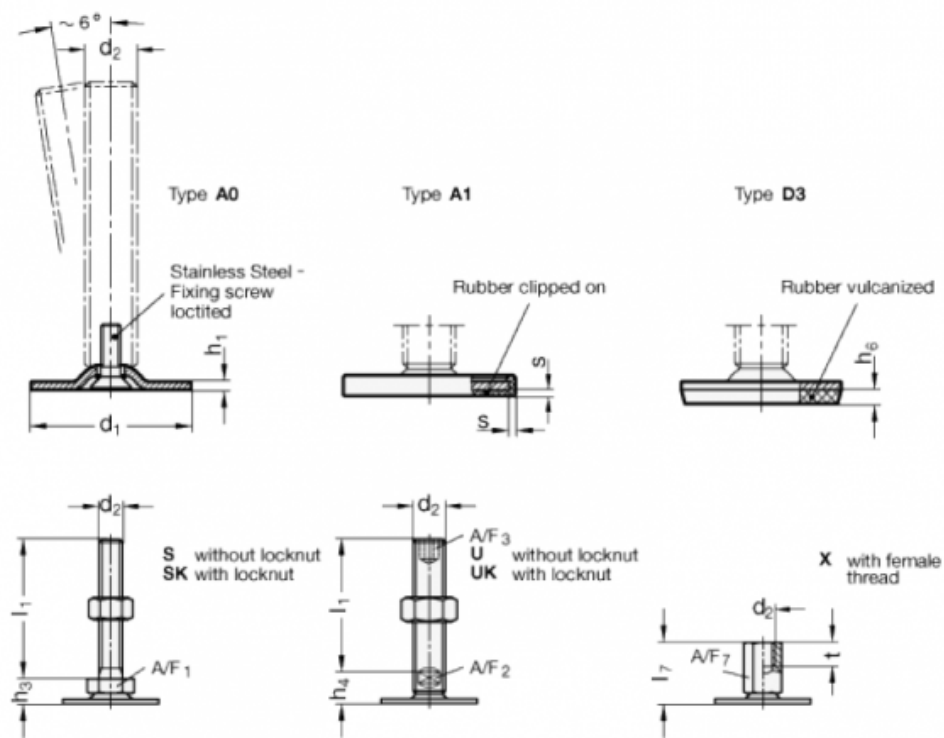


# Data Sheet



Article number: 204050M1232A0X  
 Description: E+G levelling foot  
 GN 40-50-M12-32-A0-X  
 Note: X With female thread, External hexagon

## Measures



A/F7 = 17  
 d1 = 50  
 d2 = M12  
 h1 = 2.5  
 h6 =  
 l7 = 32  
 s =  
 t = 12